

**Article: ROUND OR OVAL TABLE**

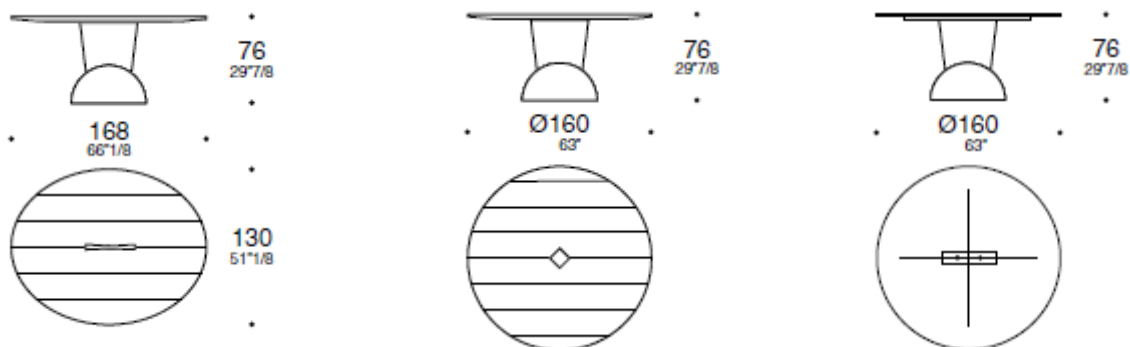
Table in natural old oak wood (19th century oak wood beams, from the reconstruction of european palaces).

**TECHNICAL CHARACTERISTICS**

The base is composed of 8 beam pieces, glued into a single turned block; the wood surface has ebony inlay. The whole is held together by an internal structure in drawn steel.



**DIMENSIONS**



**FINISHES**

Base: Old Oak.

Top: Old Oak wood with ebony inlay

Top: Transparent Glass